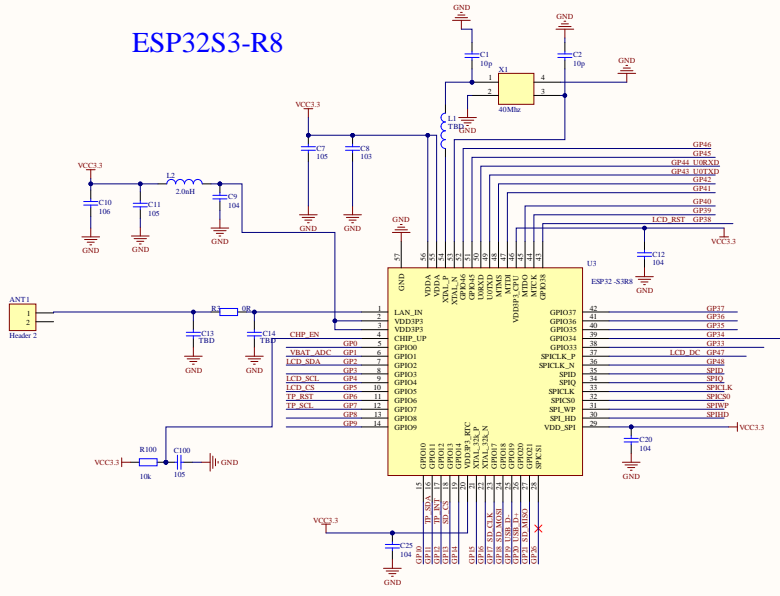
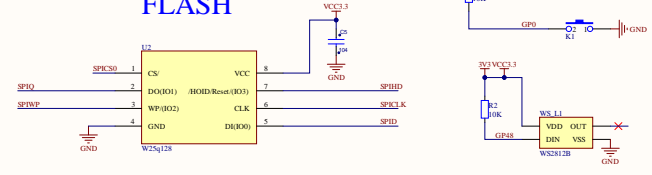


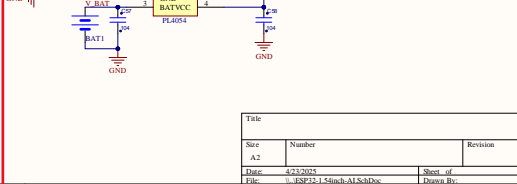
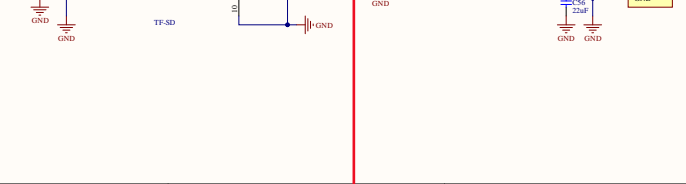
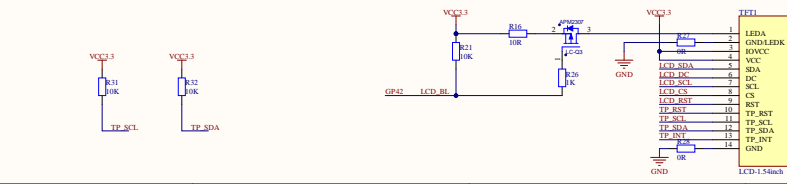
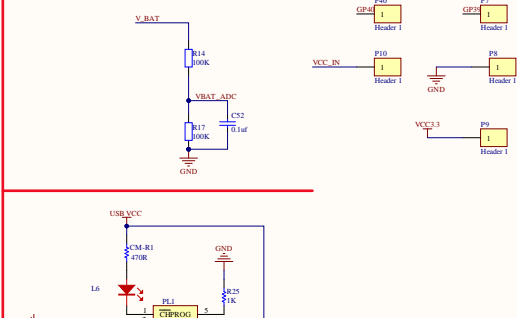
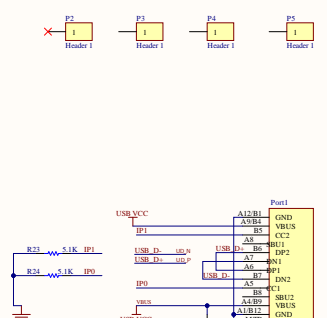
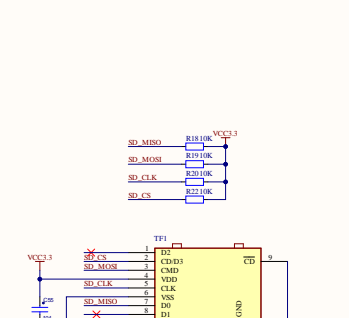
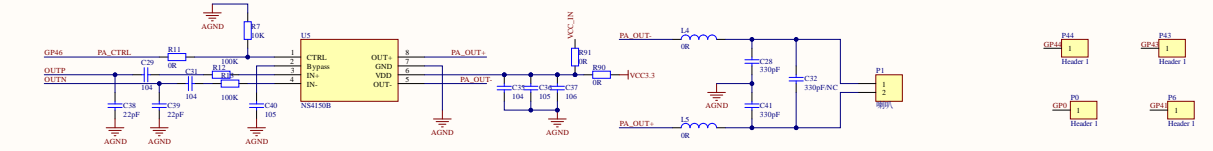
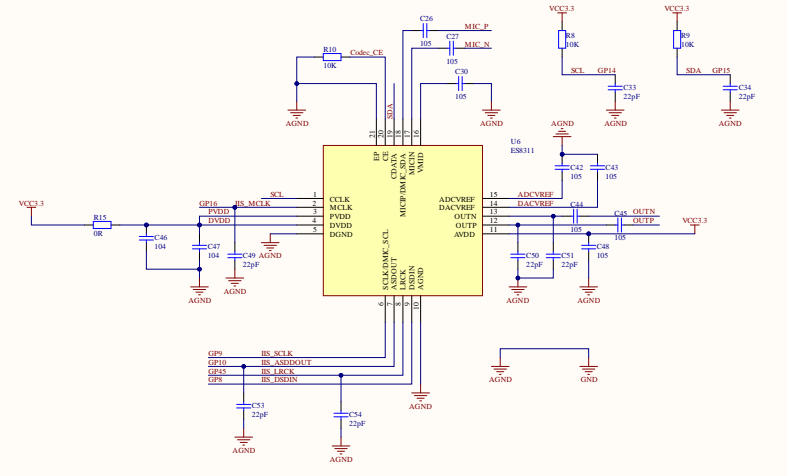
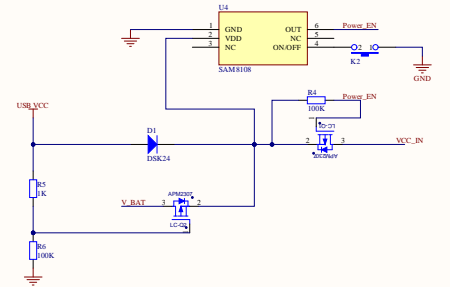
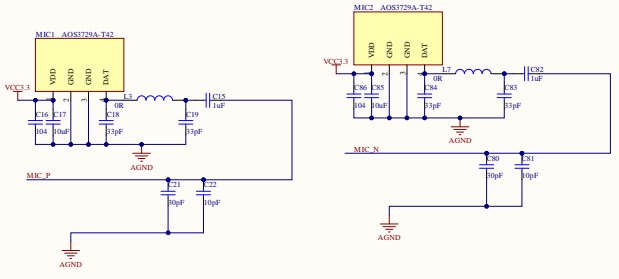
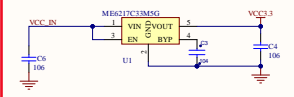
ESP32S3-R8



FLASH



POWER



Title			
Sire	Number	Revision	
A2			
Date:	4/2/2015	Sheet of	
File:	3-ESP32-54inch-A1SchDoc	Drawn By:	

