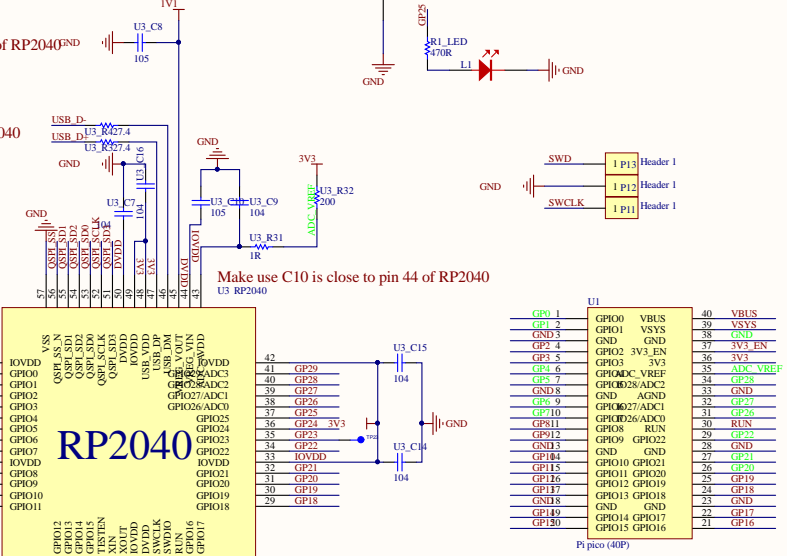


# POWER

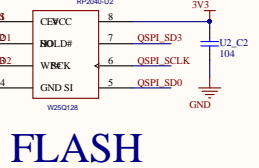
Make use C8 is close to pin 45 of RP2040

Make use R3 and R4 are close to RP2040

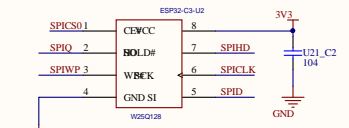


# RP2040

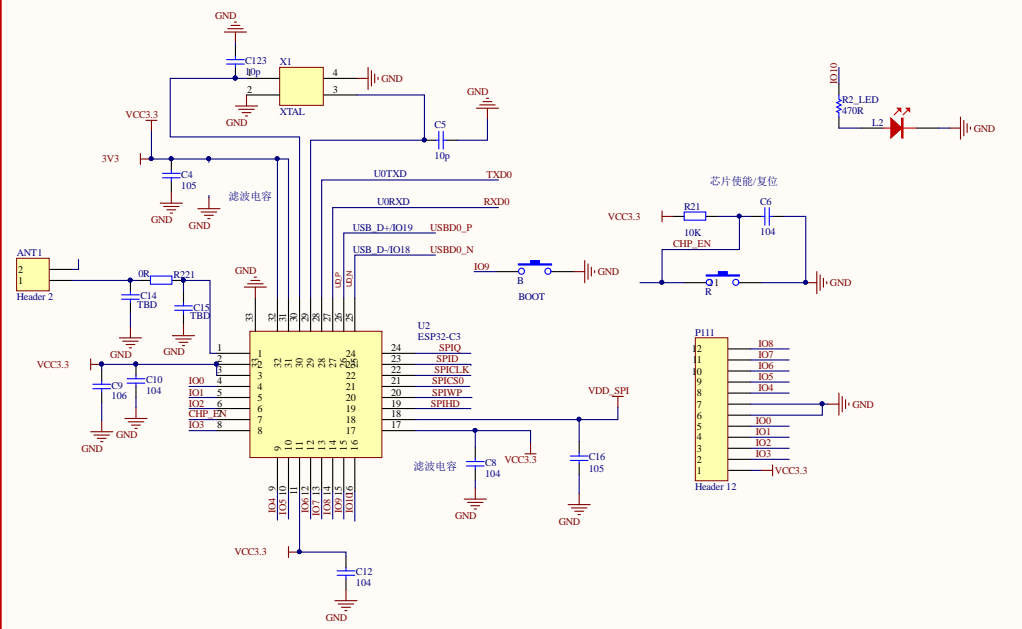
# RP2040



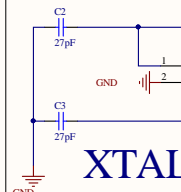
# FLASH



# FLASH

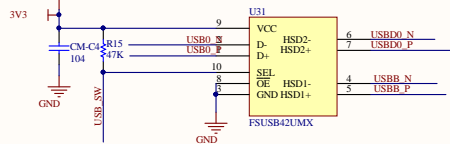
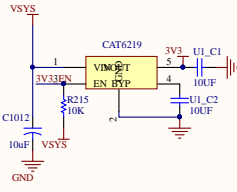
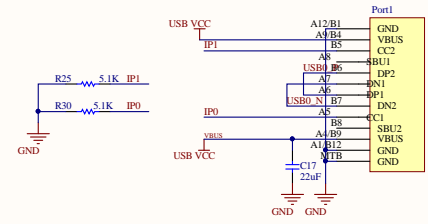


# ESP32-C3



# XTAL

# TYPEC



Spot Pear  
SpotPear\_LOGO

Boards