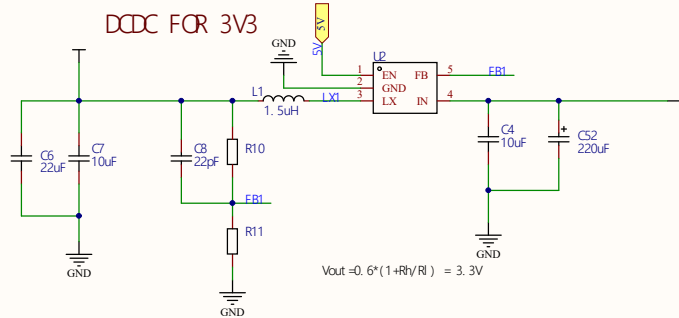
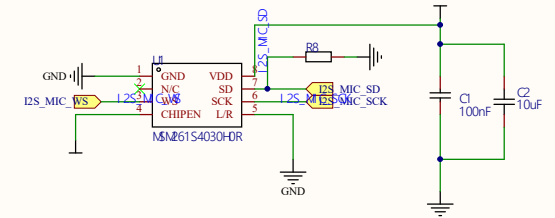
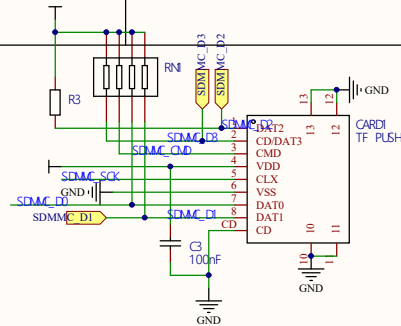
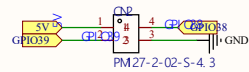
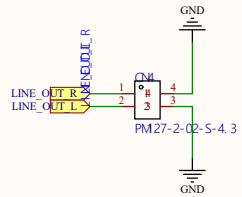


Type-C



$$V_{out} = 0.6 * (1 + R_{th} / R_l) = 3.3V$$

Schematic		Update Date	
Page		Create Date	
Drawn		Part Number	
Reviewed			
	VER	SIZE	PAGE OF